



BENCHTOP BLANKS



FORMICA® BENCHTOP BLANKS are the complete package. Delivering on form and function, this range is the total benchtop solution. A durable laminate is formed to a 3mm radius around a 38mm E0 Moisture Resistant Particleboard substrate to provide a modern square edge look. Each benchtop blank comes with edging strip supplied, which makes light work of fabrication and installation. Ideal for kitchens, bathrooms, laundries, and commercial areas, the range offers 10 popular colour options that complement the current Formica Colour Range. And it's all backed by a 7 year limited warranty. So for convenience, functionality, and style, Formica Benchtop Blanks has it covered.

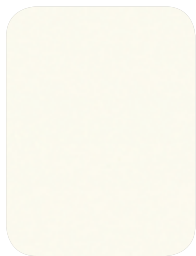
FRONT COVER Benchtop in Formica Benchtop Blanks Silvertone. Doors in Formica Melamine Doors Storm. **ABOVE LEFT** Benchtop in Formica Benchtop Blanks Mineral Quartz. Doors in Formica Gloss Panels Warm White. **ABOVE RIGHT** Benchtop in Formica Benchtop Blanks Shale Stone. **RIGHT** Benchtop in Formica Benchtop Blanks Slate. Doors and panels in Formica Gloss Panels Snowdrift.



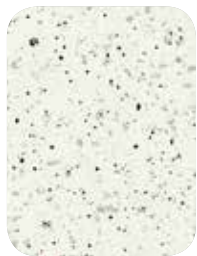
COLOURS



Ice White



Chalk White



White Pepper



Mineral Quartz



Mineral Sand



Slate



Smoke Marble



Silvertone

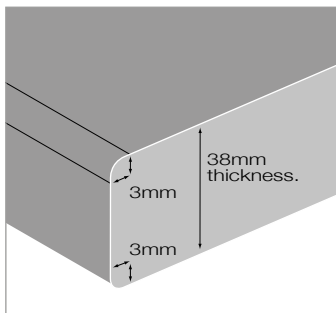


Shadow Marble



Shale Stone

3mm PROFILE EDGE



Formica Benchtop Blanks feature a radius of 3mm, giving you a contemporary, Square Edge, 38mm thick benchtop.

SHEET SIZES (mm)

Rolled 1 Edge

5500 x 600

Rolled 2 Edges

5500 x 900

NOTE Due to slight variations in manufacturing conditions, minor colour variations from the original sample may occur. Colours and patterns may appear different in larger panel size.



ENQUIRIES Call 132 136.

SAMPLES Call 1800 002 204.

WARRANTY 7 year limited warranty.

For more inspiration join us online at facebook.com/thelaminexgroupau



Formica stockist

formica.com.au

Formica Benchtop Blanks are marketed and distributed by Laminex Group Pty Limited ABN 98 004 093 092, trading as The Laminex Group. The colours and finishes of the products featured within the imagery in this brochure are as close to Formica Benchtop Blanks as photographic lighting and our printing processes allow. Different camera angles, although not designed to be misleading, can sometimes distort actual size and distances. Formica Benchtop Blanks are no different than any other material in that darker colours will always show scratches and superficial wear and tear more readily than lighter colours. Formica Benchtop Blanks should be protected from strong, direct sunlight as continuous exposure may cause discolouration or fading to the surface. Please obtain a copy of the terms and conditions of Formica Benchtop Blanks 7 year limited warranty from The Laminex Group. This warranty is in addition to any rights that may exist under the Australian Consumer Law. **Formica®**